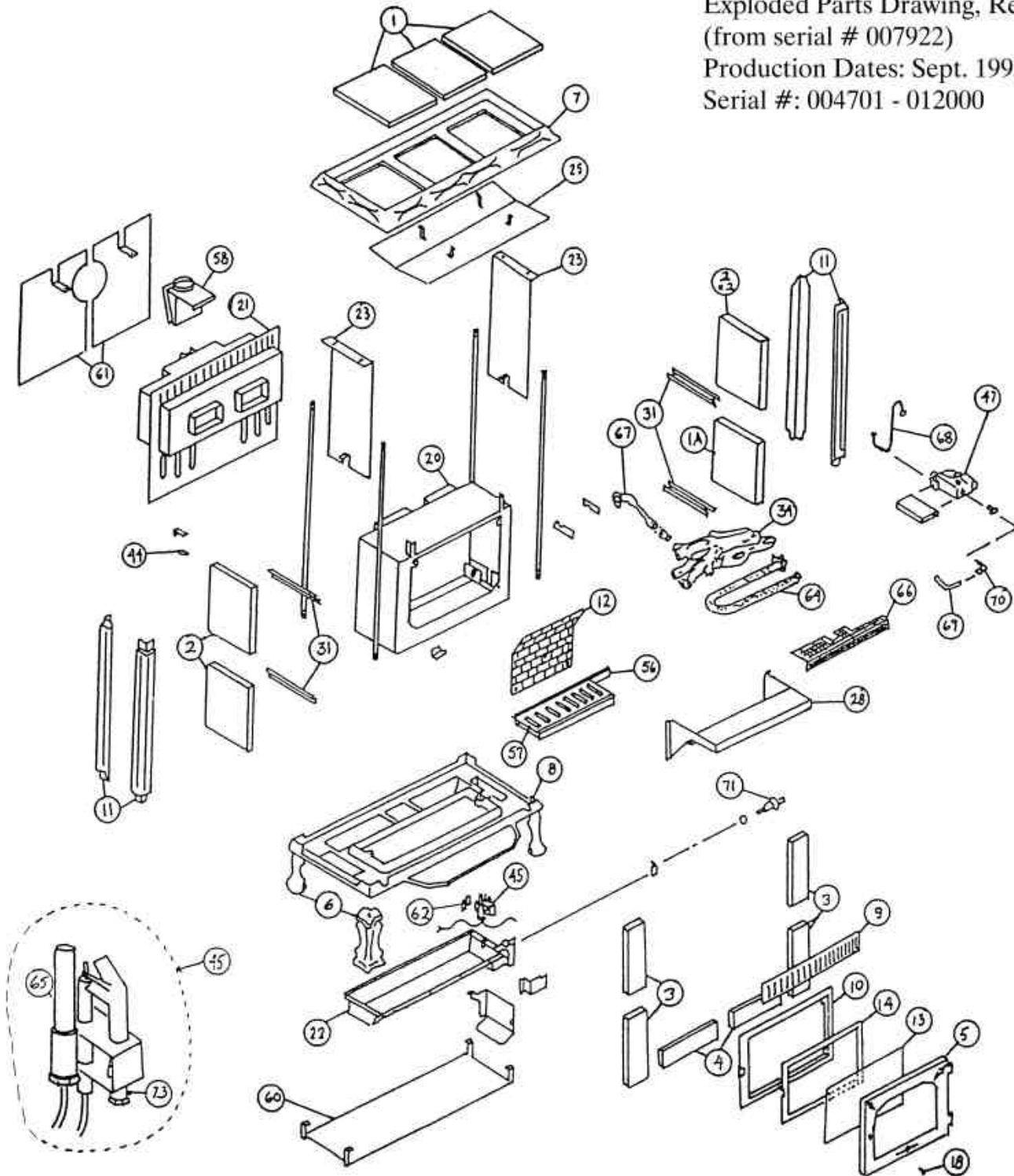


Sterling Model# 8520
B-Vent Gas Stove Heater
Exploded Parts Drawing, Revision 0.1
(from serial # 007922)
Production Dates: Sept. 1993 - Sept. 1996
Serial #: 004701 - 012000





Model: Sterling B-Vent #8520

Production Dates: September 21, 1993 - August 31, 1996

Serial #: 004701 - 010792

Note: Color must be specified for cast iron parts which are available in enamel.

Key	Part #	Description	
1	1546-462	Top Stone 8" x 9 1/2" Beveled 4 sides	Must specify stone color.
2	1546-462A	Side Stone 8" x 9 1/2" Beveled 2 sides	Must specify stone color.
3	1546-463	Front Side Stone 3 1/2" x 9 1/2"	Must specify stone color.
4	1546-464	Front Bottom Stone 2 1/2" x 8 1/2"	Must specify stone color.
5	2510-219-RS	Front Door	
6	2510-303	Bottom Leg	
7	2510-401	Top Casting	
8	2510-402	Bottom Casting	
9	2510-403F	Front Grill	
10	2510-411-RF	Front Door Frame	
11	2510-413	Side Leg (Corner Post)	
12	2510-414	Baffle	
13	94-58405	Glass Assembly	
		Includes:	
	3030-025	Glass 11 5/16" x 15 19/32" x 5mm	
	3160-080	4 1/2' of 3/4" x 1/16" Gasket Tape	
14	2421-316	Glass Frame	
18	4500-3785	Front Door Bolt	
	4500-2160	Front Door Bolt 10-24	
20	5500-2404M	Firebox	
21	5500-2405B	Heat Exchanger	
22	5500-2410C	Lower Pan Assembly	
23	5500-2417	Side Shield	
25	5500-2416A	Top Shield	
28	5500-2438	Upper Baffle	
31	5500-2408	Stone Clip	
34	7200-001A	Gas Logs	
44	95-57002	Flue Spill Switch Assembly	
		Includes:	
	7000-015A	Hi Temp Wire 4.33'	
	7000-016E	Spade Terminal	
	7000-017	(3) Female Terminal	
	7200-103	Spill Switch	

45	7210-101A	Pilot Assembly w/o Orifice & Thermopile	
47	7210-001	Gas Valve NG	
	7210-003	Gas Valve LP	
56	5500-2448	Lower Radiation Shield	
57	5500-2449	Radiation Shield Insert	
58	95-57220	Optional Top Exit Adapter	No Longer Available
60	5925-2466	Bottom Heat Shield	No Longer Available
61	5925-2467	Rear Heat Shield	No Longer Available
62	5500-2468	Pilot Assembly Bracket	
64	7200-002A	U-Shaped Burner Tubes	
66	5500-2401	Stainless Steel Ember Screen	
67	7200-508	Venturi Inlet	
68	95-57003	Pilot Tube	
		Includes:	
	5500-2468	Pilot Bracket	
	7200-016L	Break Away-Ferrule Extended	
	7200-016N	Break Away Ferrule	
	7211-015	1/4" x 18" Flex pilot Tube	
69	7200-015	Gas Manifold Tube	
70	7200-130	Burniner Orifice NG	
	7200-128	Burner Orifice LP	
71	7210-103	Piezo Igniter	
72	7210-100	Thermopile	
73	7200-126	Pilot Orifice #2063	
	7200-127	Pilot Orifice #2064	
	95-57000	Optional Blower Assembly	No Longer Available
	5210-2325	Threaded Rod (3/8-16 x 22")	
	90-56920	Wall Thermostat Kit	
		Includes:	
	7000-015	40' 18/2 Thermostat Wire	
	7200-506	Millivolt Wall Thermostat	
	95-56906	NG Conversion Kit	
	7200-231	Burner Orifice #31	
	7200-126	NG Pilot Orifice	
	7210-004B	NG Regulator	
	95-56905	LP Conversion Kit	
	7200-128	LP Burner Orifice #50	
	7200-127	LP Pilot Orifice	
	7210-005	LP Regulator	